

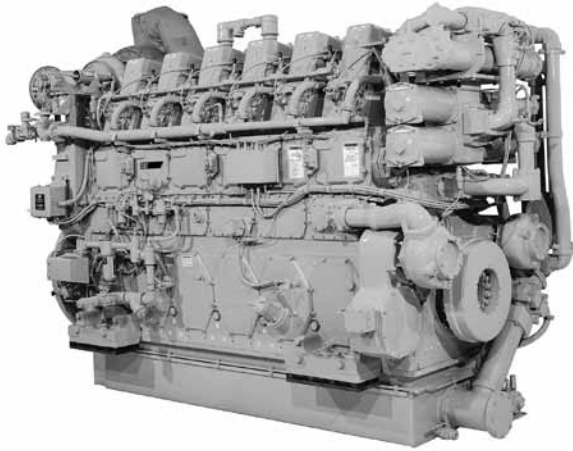


G3608 LE Gas Petroleum Engine

1767-1823 kW
(2370-2445 bhp)
1000 rpm

0.5 g/bhp-hr NOx or 0.7 g/bhp-hr NOx (NTE)

CAT® ENGINE SPECIFICATIONS



Shown with
Optional Equipment

In-Line 8, 4-Stroke-Cycle

Bore	300 mm (11.8 in.)
Stroke	300 mm (11.8 in.)
Displacement	169.6 L (10,350 cu. in.)
Aspiration	Turbocharged-Aftercooled
Digital Engine Management	
Governor and Protection	Electronic (ADEM™ A3)
Combustion	Low Emission (Lean Burn)
Engine Weight	
net dry (approx)	19,000 kg (41,888 lb)
Power Density	10.4 kg/kW (17.1 lb/hp)
Power per Displacement	14.5 bhp/L
Total Cooling System Capacity	530 L (140 gal)
Jacket Water	470 L (124 gal)
Aftercooler Circuit	60.6 L (16 gal)
Lube Oil System (refill)	912.3 L (241 gal)
Oil Change Interval	5000 hours
Rotation (from flywheel end)	Counterclockwise
Flywheel Teeth	255

FEATURES

Engine Design

- Proven reliability and durability
- Ability to burn a wide spectrum of gaseous fuels
- Robust diesel strength design prolongs life and lowers owning and operating costs
- Broad operating speed range

Emissions

Meets U.S. EPA Spark Ignited Stationary NSPS Emissions for 2010/11 with the use of an oxidation catalyst

Lean Burn Engine Technology

Lean-burn engines operate with large amounts of excess air. The excess air absorbs heat during combustion reducing the combustion temperature and pressure, greatly reducing levels of NOx. Lean-burn design also provides longer component life and excellent fuel consumption.

Ease of Operation

- High-strength pan and rails for excellent mounting and stability
- Side covers on block allow for inspection of internal components

Advanced Digital Engine Management

ADEM A3 engine management system integrates speed control, air/fuel ratio control, and ignition/detonation controls into a complete engine management system. ADEM A3 has improved: user interface, display system, shutdown controls, and system diagnostics.

Full Range of Attachments

Large variety of factory-installed engine attachments reduces packaging time.

Testing

Every engine is full-load tested to ensure proper engine performance.

Gas Engine Rating Pro

GERP is a PC-based program designed to provide site performance capabilities for Cat® natural gas engines for the gas compression industry. GERP provides engine data for your site's altitude, ambient temperature, fuel, engine coolant heat rejection, performance data, installation drawings, spec sheets, and pump curves.

Product Support Offered Through Global Cat Dealer Network

More than 2,200 dealer outlets

Cat factory-trained dealer technicians service every aspect of your petroleum engine

Cat parts and labor warranty

Preventive maintenance agreements available for repair-before-failure options

S•O•SSM program matches your oil and coolant samples against Caterpillar set standards to determine:

- Internal engine component condition
- Presence of unwanted fluids
- Presence of combustion by-products
- Site-specific oil change interval

Over 80 Years of Engine Manufacturing Experience

Over 60 years of natural gas engine production

Ownership of these manufacturing processes enables Caterpillar to produce high quality, dependable products

- Cast engine blocks, heads, cylinder liners, and flywheel housings
- Machine critical components
- Assemble complete engine

Web Site

For all your petroleum power requirements, visit www.catoilandgas.cat.com.



STANDARD EQUIPMENT

Air Inlet System

Air cleaner — standard-duty
Inlet air adapter

Control System

ADEM A3 control system provides electronic governing integrated with air/fuel ratio control and individual cylinder ignition timing control

Cooling System

Jacket water pump
Jacket water thermostats and housing
Aftercooler pump
Aftercooler water thermostats and housing
Single-stage aftercooler

Exhaust System

Dry wrapped exhaust manifolds
Vertical outlet adapter

Flywheels & Flywheel Housings

SAE standard rotation

Fuel System

Gas admission valves with electronically controlled fuel supply pressure

Ignition System

A3 control system senses individual cylinder detonation and controls individual cylinder timing

Instrumentation

LCD display panel monitors engine parameters and displays diagnostic codes

Lube System

Crankcase breather — top mounted
Oil cooler
Oil filter
Oil pan drain valve

Mounting System

Engine mounting feet (six total)

Protection System

Electronic shutoff system with purge cycle
Crankcase explosion relief valves
Gas shutoff valve

Starting System

Air starting system

General

Paint — Cat yellow
Vibration dampers

OPTIONAL EQUIPMENT

Air Inlet System

Heavy-duty air cleaner — with precleaners
Heavy-duty air cleaner — with rain protection

Charging System

Charging alternators

Control System

Custom control system software is available for non-standard ratings. Software is field programmable using flash memory.

Cooling System

Expansion tank
Flexible connections
Jacket water heater

Exhaust System

Flexible bellows adapters
Exhaust expander
Weld flanges

Fuel System

Fuel filter
Gas pressure regulator
Flexible connection
Low energy fuel system
Corrosive gas fuel system

Ignition System

CSA certification

Instrumentation

Remote data monitoring and speed control
Compatible with Cat Electronic Technician (ET) and Data View
Communication Device — PL1000T/E
Display panel deletion is optional

Lube System

Air or electric motor-driven prelube
Duplex oil filter
LH or RH service
Lube oil makeup system

Mounting System

Mounting plates (set of six)

Power Take-Offs

Front stub shafts

Starting System

Air pressure reducing valve
Natural gas starting system

General

Engine barring device
Damper guard



G3608 LE GAS PETROLEUM ENGINE

1767-1823 bkW (2370-2445 bhp)

TECHNICAL DATA

G3608 LE Gas Petroleum Engine — 1000 rpm

		DM5561-03	DM5562-03	DM5136-03	DM8606-02
Engine Power					
@ 100% Load	bkW (bhp)	1767 (2370)	1879 (2520)	1823 (2445)	1767 (2370)
@ 75% Load	bkW (bhp)	1326 (1778)	1409 (1890)	1367 (1834)	1326 (1778)
Engine Speed					
	rpm	1000	1000	1000	1000
Max Altitude @ Rated Torque and 38°C (100°F)	m (ft)	1219.2 (4000)	1219.2 (4000)	1219.2 (4000)	914.4 (3000)
Speed Turndown @ Max Altitude, Rated Torque, and 38°C (100°F)	%	20	20	20	20
SCAC Temperature	°C (°F)	54 (130)	32 (90)	43 (110)	54 (130)
Emissions*					
NOx	g/bkW-hr (g/bhp-hr)	.94 (0.7)	.94 (0.7)	.94 (0.7)	.67 (0.5)
CO	g/bkW-hr (g/bhp-hr)	3.35 (2.5)	3.4 (2.5)	3.4 (2.5)	3.7 (2.75)
CO ₂	g/bkW-hr (g/bhp-hr)	589 (439)	584 (436)	587 (438)	591 (441)
VOC**	g/bkW-hr (g/bhp-hr)	0.81 (0.6)	0.76 (0.57)	0.79 (0.59)	0.85 (0.63)
Fuel Consumption***					
@ 100% Load	MJ/bkW-hr (Btu/bhp-hr)	9.34 (6600)	9.28 (6561)	9.31 (6580)	9.38 (6629)
@ 75% Load	MJ/bkW-hr (Btu/bhp-hr)	9.74 (6883)	9.66 (6829)	9.7 (6856)	9.78 (6914)
Heat Balance					
Heat Rejection to Jacket Water					
@ 100% Load	bkW (Btu/min)	420 (23,918)	449 (25,555)	435 (24,751)	420 (23,911)
@ 75% Load	bkW (Btu/min)	364 (20,697)	388 (22,055)	376 (21,389)	366 (20,824)
Heat Rejection to Aftercooler					
@ 100% Load	bkW (Btu/min)	297 (16,916)	394 (22,403)	344 (19,601)	310 (17,633)
@ 75% Load	bkW (Btu/min)	139 (7898)	207 (11,778)	172 (9794)	145 (8279)
Heat Rejection to Exhaust					
@ 100% Load	bkW (Btu/min)	1783 (101,403)	1792 (101,922)	1789 (101,728)	1790 (101,780)
@ 75% Load	bkW (Btu/min)	1437 (81,695)	1443 (82,061)	1441 (81,932)	1442 (82,023)
Exhaust System					
Exhaust Gas Flow Rate					
@ 100% Load	m ³ /min (cfm)	451.80 (15,955)	463.55 (16,370)	457.83 (16,168)	457.15 (16,144)
@ 75% Load	m ³ /min (cfm)	359.68 (12,702)	368.23 (13,004)	364.10 (12,858)	363.93 (12,852)
Exhaust Stack Temperature					
@ 100% Load	°C (°F)	470 (878)	450 (841)	460 (859)	459 (857)
@ 75% Load	°C (°F)	492 (918)	469 (877)	480 (897)	480 (897)
Intake System					
Air Inlet Flow Rate					
@ 100% Load	m ³ /min (scfm)	170.07 (6006)	179.36 (6334)	174.71 (6170)	174.91 (6177)
@ 75% Load	m ³ /min (scfm)	131.36 (4639)	138.58 (4894)	134.99 (4767)	135.13 (4772)
Gas Pressure	kPag (psig)	295-324 (42.8-47)	295-324 (42.8-47)	295-324 (42.8-47)	295-324 (42.8-47)

*at 100% load and speed, all values are listed as not to exceed

**Volatile organic compounds as defined in U.S. EPA 40 CFR 60, subpart JJJJ

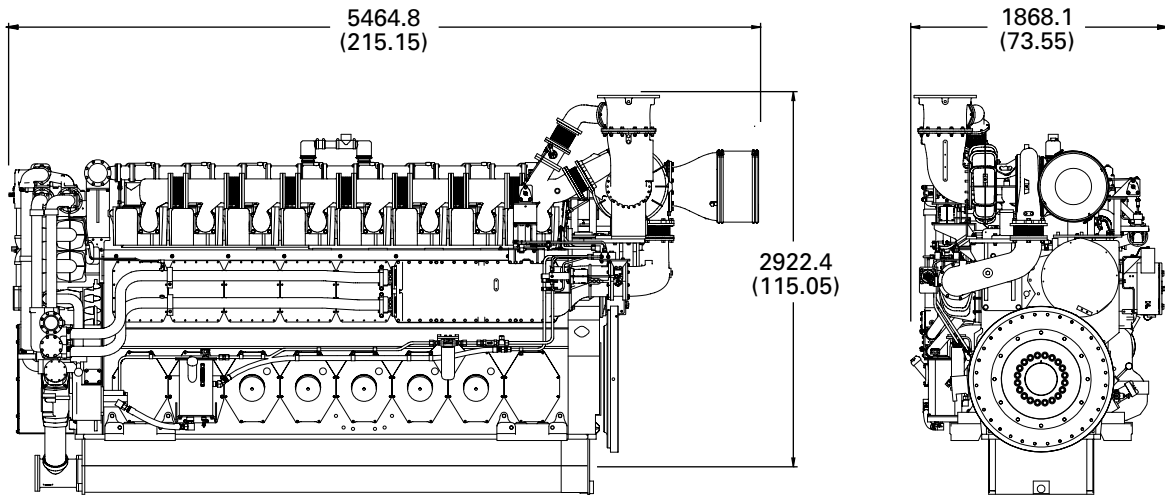
***ISO 3046/1



G3608 LE GAS PETROLEUM ENGINE

1767-1823 bkW (2370-2445 bhp)

GAS PETROLEUM ENGINE



DIMENSIONS		
Length	mm (in)	5464.8 (215.15)
Width	mm (in)	1868.1 (73.55)
Height	mm (in)	2922.4 (115.05)
Shipping Weight	kg (lb)	19,000 (41,888)

Note: General configuration not to be used for installation. See general dimension drawing number 246-1516 for detail.

RATING DEFINITIONS AND CONDITIONS

Engine performance is obtained in accordance with SAE J1995, ISO3046/1, BS5514/1, and DIN6271/1 standards.

Transient response data is acquired from an engine/generator combination at normal operating temperature and in accordance with ISO3046/1 standard ambient conditions. Also in accordance with SAE J1995, BS5514/1, and DIN6271/1 standard reference conditions.

Conditions: Power for gas engines is based on fuel having an LHV of 33.74 kJ/L (905 Btu/cu ft) at 101 kPa (29.91 in. Hg) and 15° C (59° F). Fuel rate is based on a cubic meter at 100 kPa (29.61 in. Hg) and 15.6° C (60.1° F). Air flow is based on a cubic foot at 100 kPa (29.61 in. Hg) and 25° C (77° F). Exhaust flow is based on a cubic foot at 100 kPa (29.61 in. Hg) and stack temperature.

Materials and specifications are subject to change without notice. The International System of Units (SI) is used in this publication. CAT, CATERPILLAR, their respective logos, S•O•S, ADEM, "Caterpillar Yellow" and the "Power Edge" trade dress, as well as corporate and product identity used herein, are trademarks of Caterpillar and may not be used without permission.