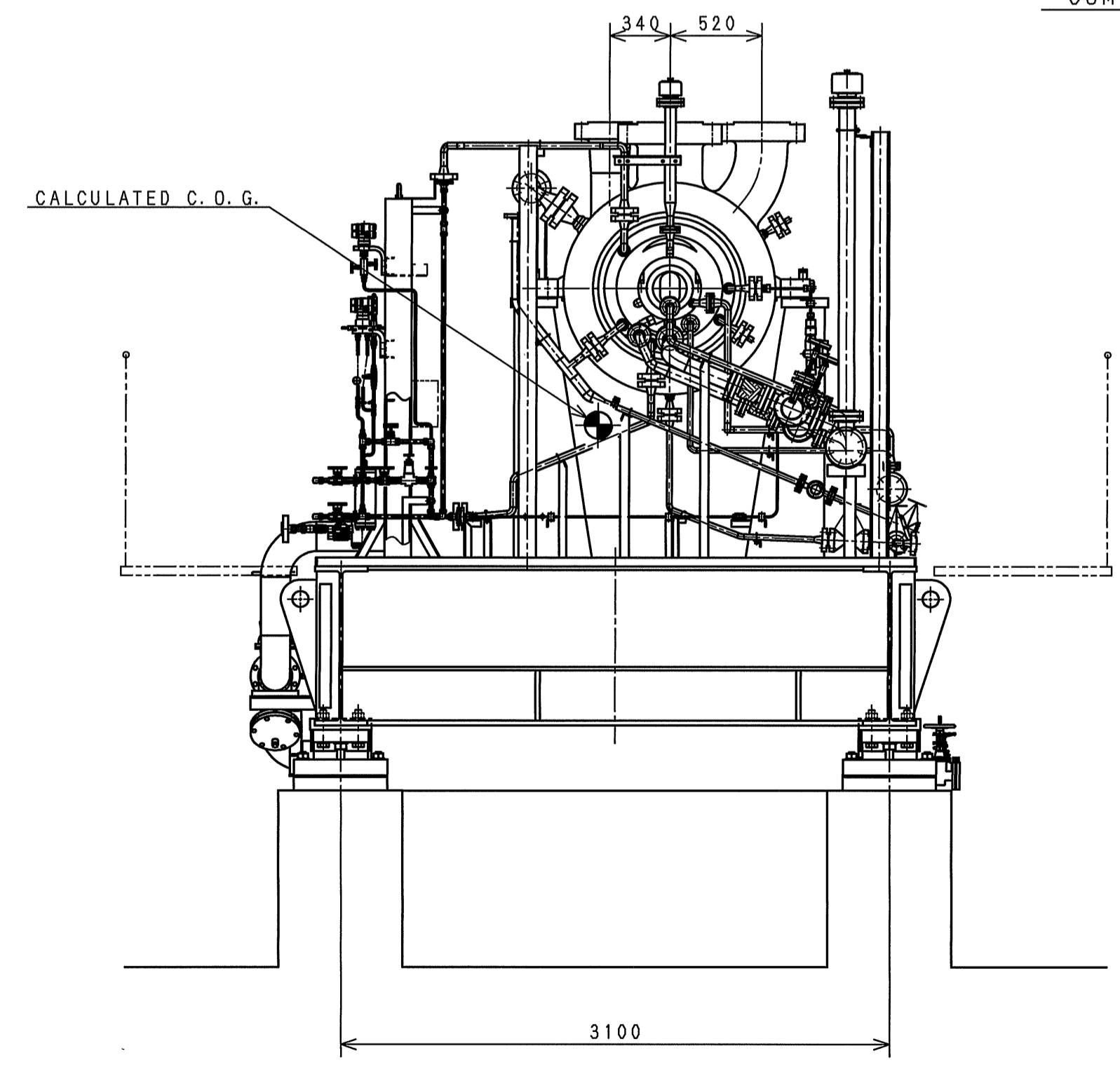
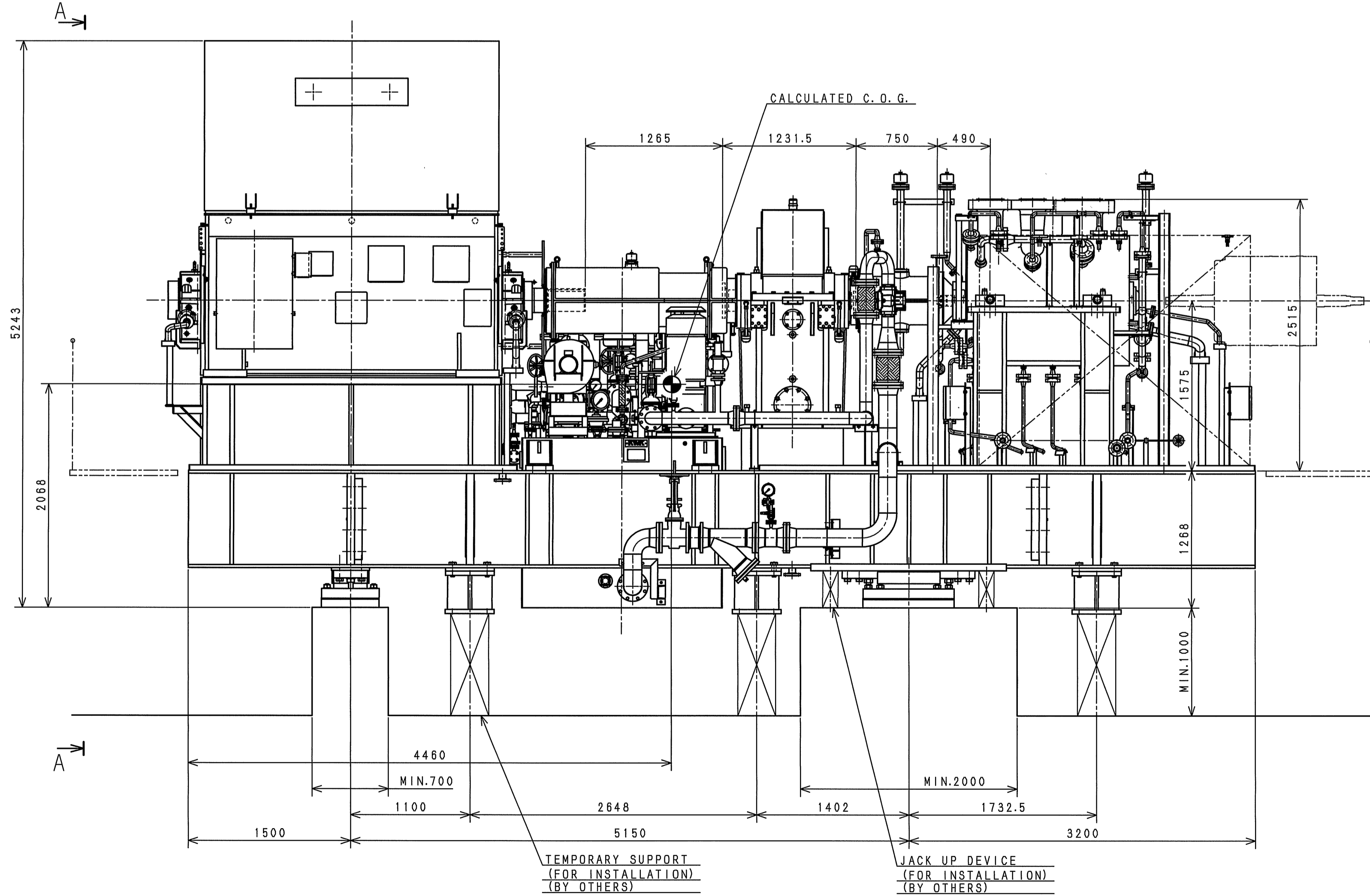


REVISION
 図面変更
 1. ISSUED FOR PRELIMINARY. 2014. 11. 07
 2. △×1-R1 REVISED AS MARKED (△)
 AND ISSUED FOR APPROVAL.
 2015. 04. 29
 3. △×1-R2 REVISED AS MARKED (△)
 AND ISSUED FOR APPROVAL.
 2015. 09. 08
 S.S.T.H.Y.K
 〇〇 〇〇

FOR APPROVAL



NOTE
 ・COMPRESSOR UNIT WEIGHT: 87000kg (WET)