

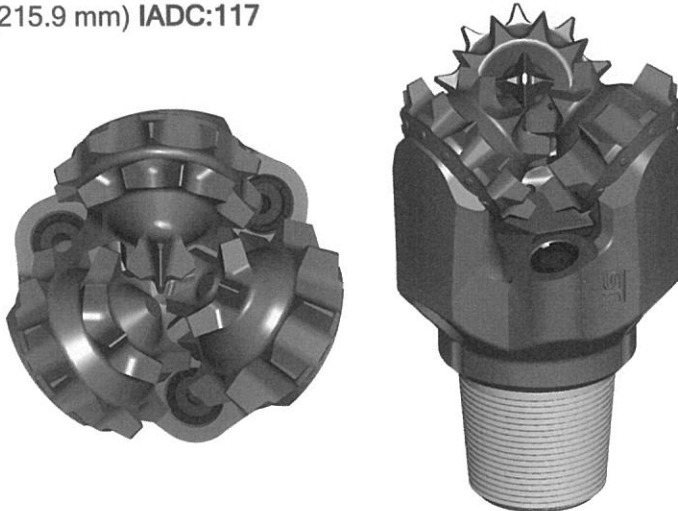
SB Series Milled Tooth

8 1/2 in SB117 Milled Tooth

SMITH BITS

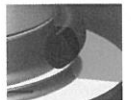
A Schlumberger Company

(215.9 mm) IADC:117



FEATURES

- The sealed friction bearing with floating bearing sleeve provides a robust, reliable system capable of excellent performance in a wide range of applications.
- The V-Ramp seal's unique design distributes contact pressure over a wider contact area ensuring a more consistent track on the bit leg. This results in extended seal life which allows the bit to stay in the hole longer and drill more footage.



The SB product line of roller cone bits are designed for less challenging applications, engineered with fit-for-purpose materials and designs to deliver reliability and performance.

SB bits incorporate:

- Field proven technology
- Solid ROP
- Reliable bearing packages
- Lubricants and elastomers that provide reliable performance
- Predictable cutting structures and hardfacing
- Applicable to very soft to medium formation drilling

Specifications

Bearing Type	Sealed Friction Bearing
Seal Type	V-Ramp O-Ring Seals
Bit Connection Type	4 1/2 Reg
Rows	Total: 7 Inner: 4 Gage: 3
Inserts/Teeth	Total: 55 Inner: 25 Gage: 30

Operating Parameters

Weight on Bit	15,000 To 45,000 (lbf) 6,818 To 20,452 (daN) 7 To 20 (Tonnes)
Rotary Speed (RPM)	50 To 160

Operating parameters are typical ranges. Please contact your Smith Bits representative for recommendations for your individual well.