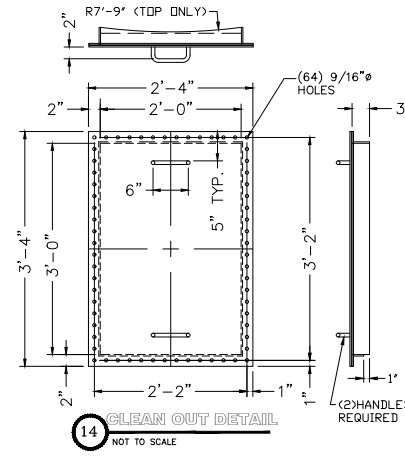
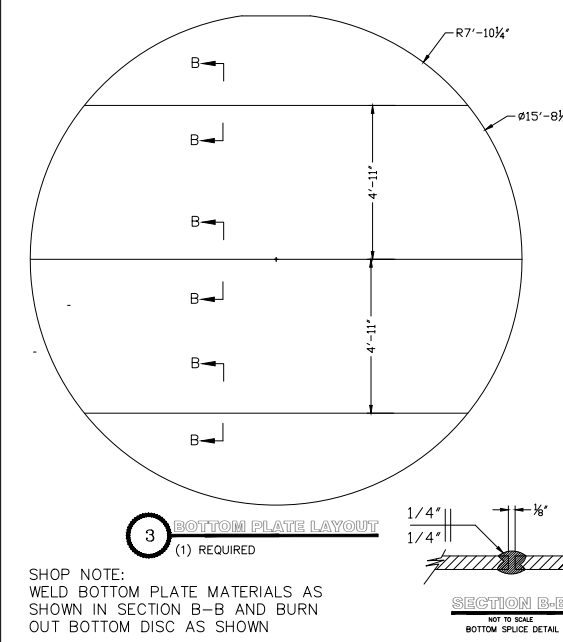
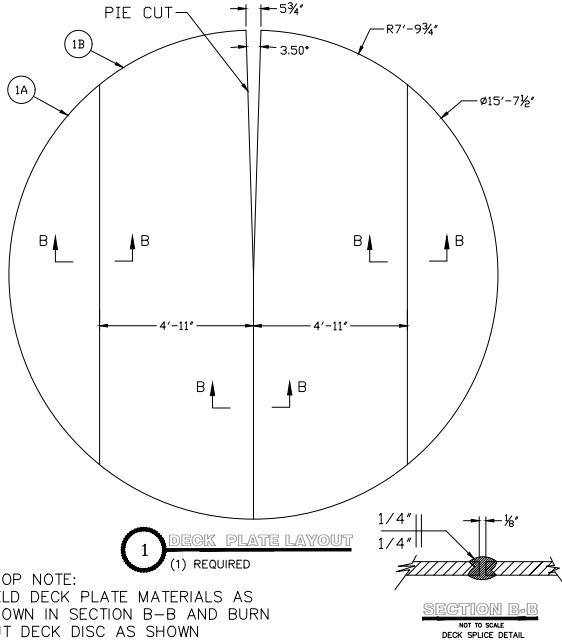
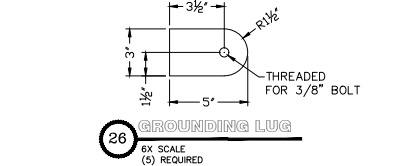
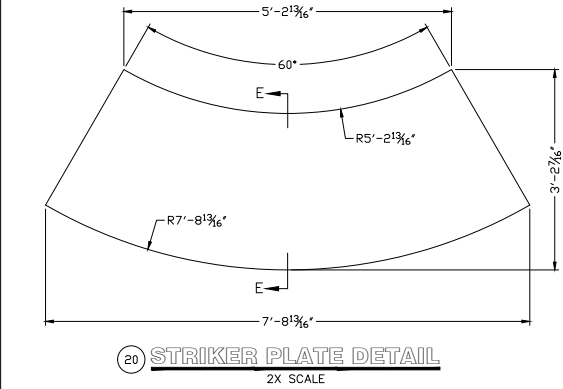
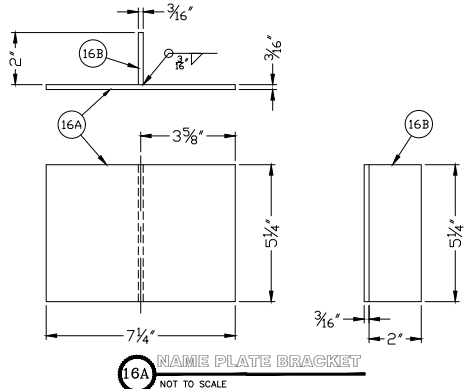
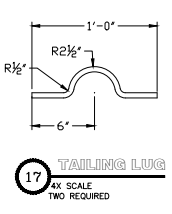
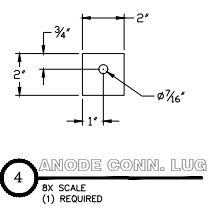


BILL OF MATERIAL				
ITEM	PART	SERVICE	DESCRIPTION	QTY.
3	-	BOTTOM	PL 1/4" X #188 1/2" FLAT DISC	1
3A	12572150	BOTTOM MATERIAL	PL 1/4" X 72" X 150", A-36	1
3B	12572190	BOTTOM MATERIAL	PL 1/4" X 60" X 190", A-36	2
14	-	CLEAN OUT	CLEAN OUT 24" I.D. X 36" L.D.	1
14A	304-MURPHY	GASKET	1/8" VITON ONE-PIECE GASKET	1
14B	3050500	BOLT	1/2" # X 1 1/2" BOLT, SAE J429 GR. 5, ZINC PLATED	64
14C	3050005	NUT	1/2" # HEX NYLON INSERT LOCKNUT, ZINC PLATED, PER ASME B18.16.6 SPECIFICATION	64
14D	-	HANDLE	5/8" ROUND BAR X 12" LG., A-36	2
16	-	NAME PLATE	BRACKET ASSEMBLY	1
16A	STD	BRACKET	PL 3/16" X 5 1/2" X 7 1/2" LG., A-36	1
16B	STD	BRACKET LEG	PL 3/16" X 2" X 5 1/2" LG., A-36	1
17	STD	TAILING LUG	PLATE 1/2" X 2" X 15 1/2" LG., A-36	3
17A	STD	TAIL LUG REPAD	PLATE 1/4" X 5" X 16", A-36 (2" RADIUS ENDS)	2
20	DVN	STRIKER PLATE	PL 1/4" X 39" X 93", A-36	1
26	DVN	GROUNDING LUG	F.B. 1/2" X 3" X 5" W/ 8" THREADED HOLE, A-36	5



- ISSUED FOR APPROVAL (SCALE 1/2"-12")

MK	REVISION	DATE	DR BY	IS BY
1	REVD. DECK FLAT LAYOUT, WALKWAY CLIP, ROOF PITCH	8/17/17	DY	
2	ADDED 4" PIPE DOWNCOMER DETAIL (NOZZLE "N3")	8/24/17	DY	
3	MOVED "N7" (HIGH LEVEL SWITCH) TO 215 DEG.	8/29/17	DY	
4	ROTATED LIFT & TAIL LUGS 5 DEGREES C.W.	9/25/17	DY	
5	ROTATED LIFT & TAIL LUGS FOR ROTATOR MNTG	10/20/17	DY	
6	UPDATED DRAWING NUMBER	11/29/17	DY	
7	UPDATED PER ANDREW YEARWOOD DESIGN	12/29/17	DY	
8	ROTATED TAIL LUGS & ADDED NEW N/P	1/12/18	DY	

MK	REVISION	DATE	DR BY	IS BY	MK	REVISION	DATE	DR BY	IS BY
9	MOVED LIFT LUG AND TAIL LUGS (SEE PLAN VIEW)	2/15/18	DY		13				
10					14				
11					15				
12					16				

DATE: 06/01/17
06/29/2017
06/29/2017

ANGELINA TANK & MANUFACTURING

(1) 750 BBL. VERTICAL STORAGE TANK
15'-6" # X 24'-0" STRAIGHT TANK
STANDARD TANK DETAILS AND MATERIALS

CITY: DEVON ENERGY STATE: -

WATER/COAT INTERIOR 100%

CUSTOMERS P.O.
DWG. NO. DVN750-202
SHEET: 2 OF 3
REVISION 9